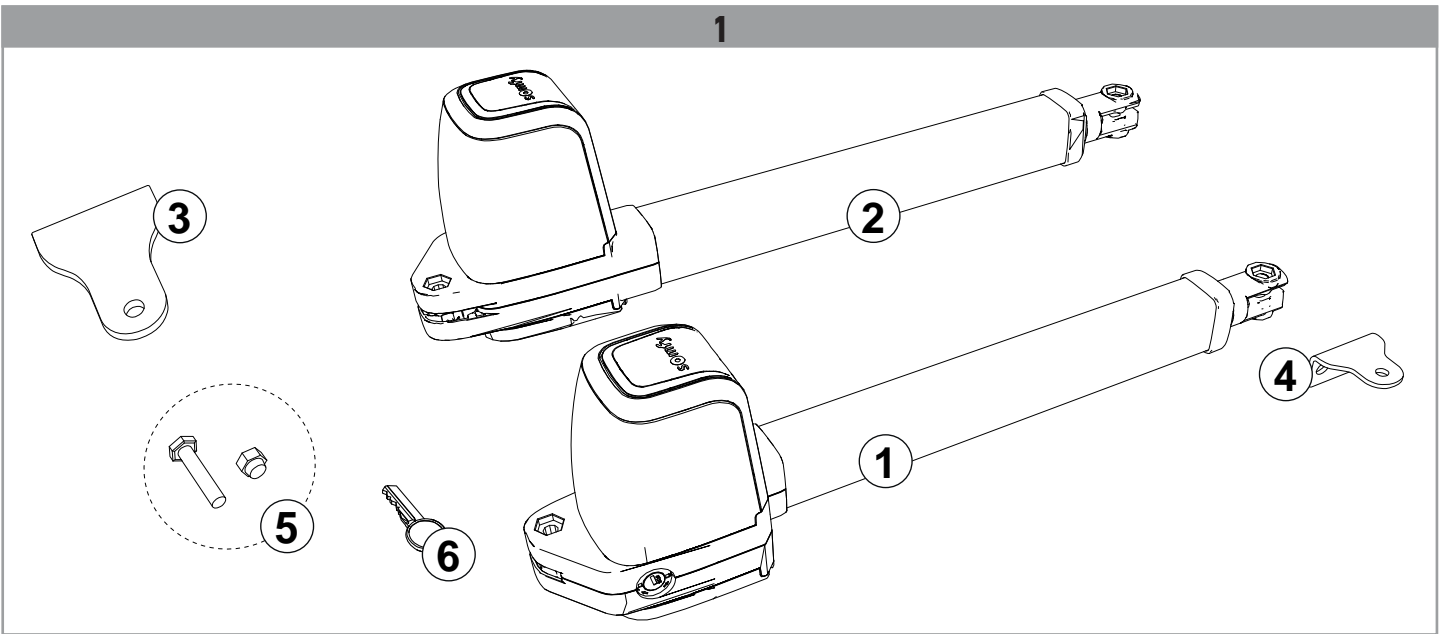


# IXENGO JS 230V

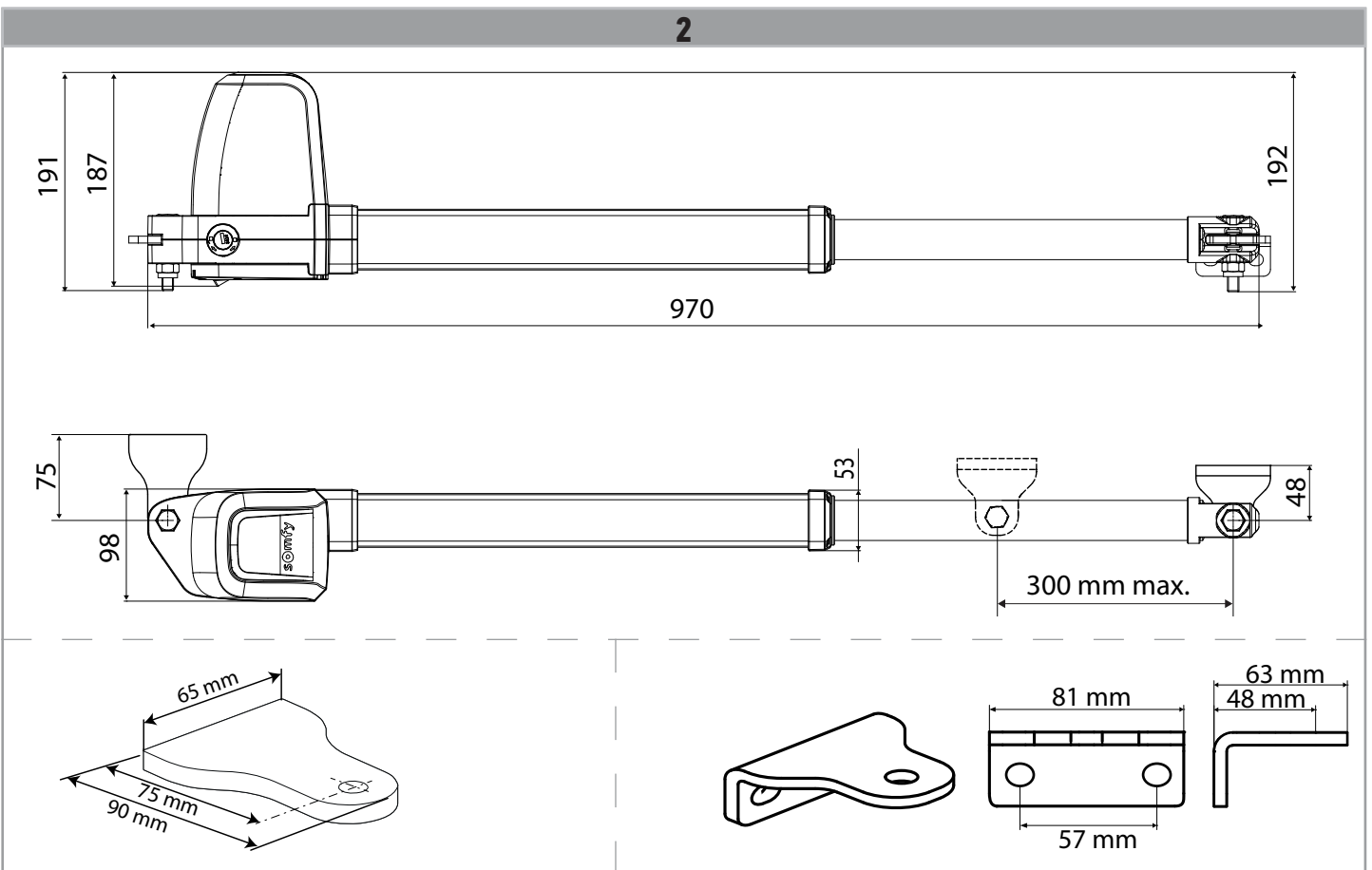
**FR** Manuel d'installation - Illustrations  
**EN** Installation instructions - Illustrations  
**PL** Instrukcja montażu - Ilustracje  
**RU** Руководство по установке - Иллюстрации  
**CS** Návod k montáži - obrázek  
**RO** Manual de instalare - Ilustrații  
**IT** Manuale d'installazione - Illustrazioni

**PT** Manual de instalação - Ilustrações  
**ES** Manual de instalación - ilustraciones  
**EL** Εγχειρίδιο εγκατάστασης - Εικόνες  
**TR** Montaj kılavuzu - örneklemeler  
**FA** راهنمای نصب  
**AR** دليل التركيب

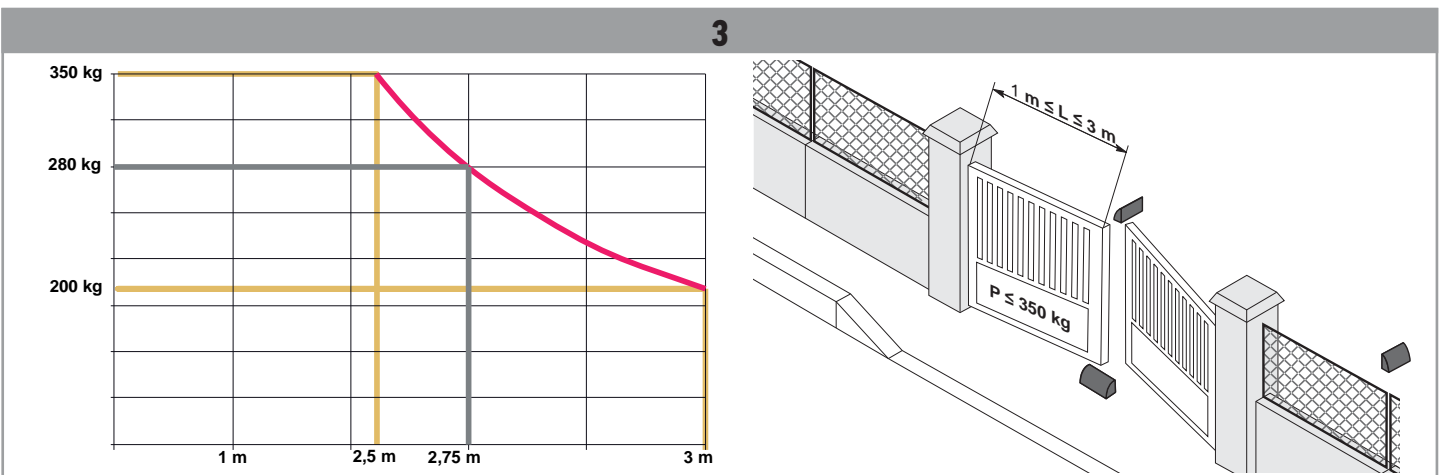
1

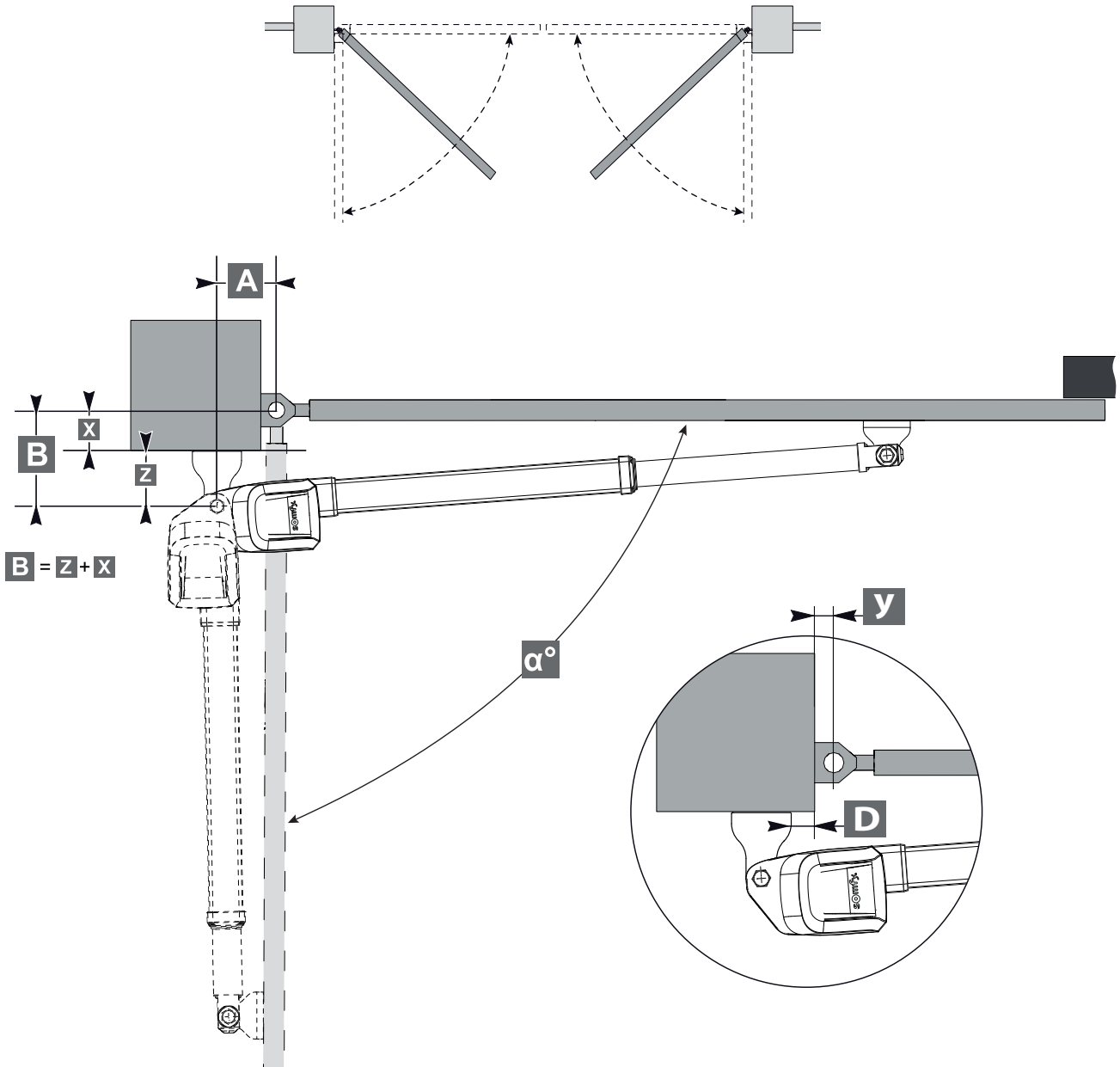


2



3



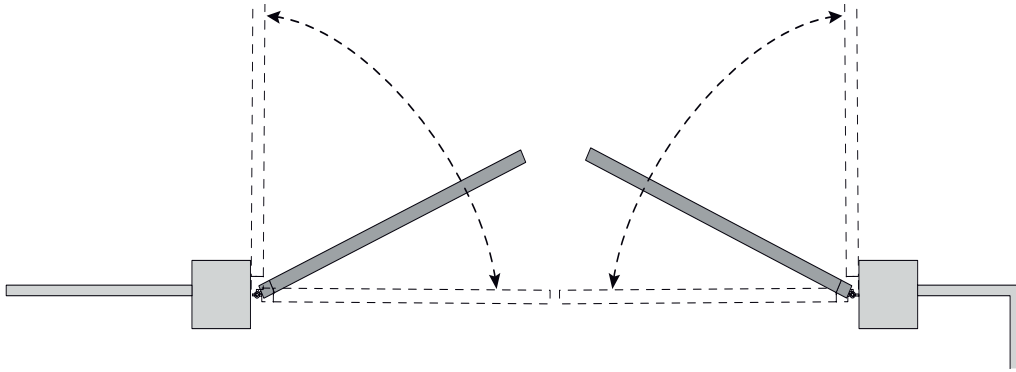


Fix&GO

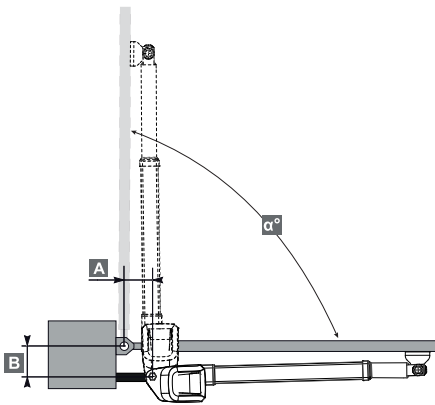


| $\alpha^\circ$                | X (mm) | B (mm) | A max speed | A recommended | A max |
|-------------------------------|--------|--------|-------------|---------------|-------|
| $\alpha^\circ \leq 90^\circ$  | 20     | 95     | 83          | 103           | 203   |
|                               | 40     | 115    | 83          | 106           | 183   |
|                               | 60     | 135    | 83          | 143           | 163   |
|                               | 80     | 155    | 83          | 143           | 143   |
|                               | 100    | 175    | 83          | 123           | 123   |
|                               | 120    | 195    | 83          | 83            | 83    |
| $\alpha^\circ \leq 115^\circ$ | 20     | 95     | 103         | 143           | 143   |
|                               | 40     | 115    | 123         | 123           | 123   |
| $\alpha^\circ \leq 125^\circ$ | 20     | 95     | 123         | 123           | 123   |

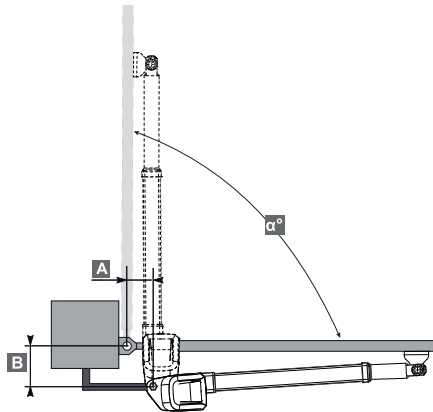
5



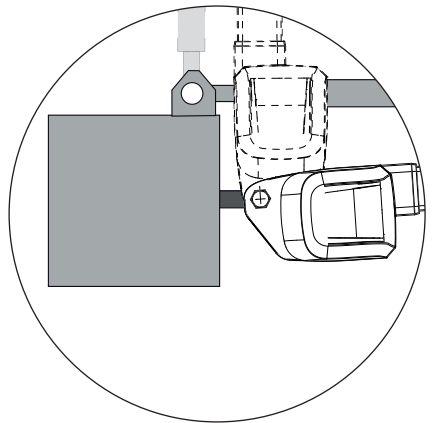
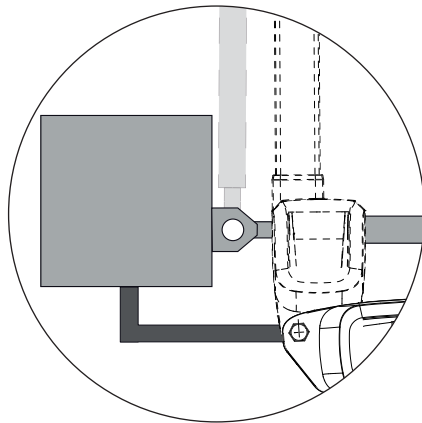
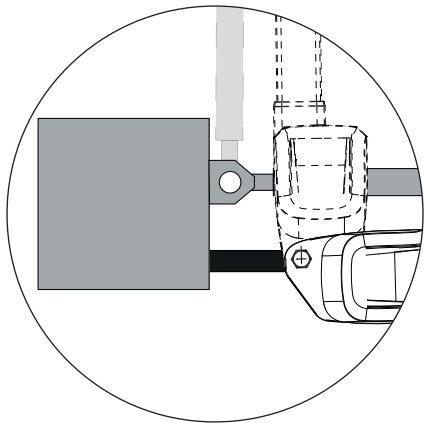
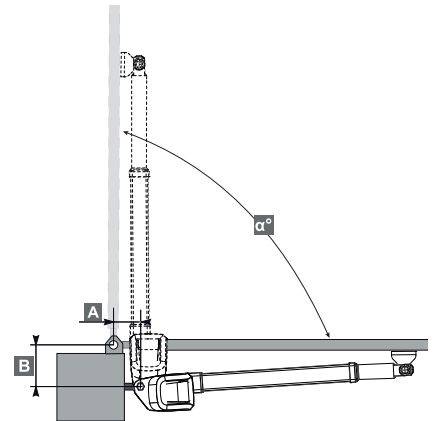
5a



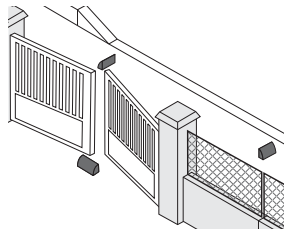
5b



5c

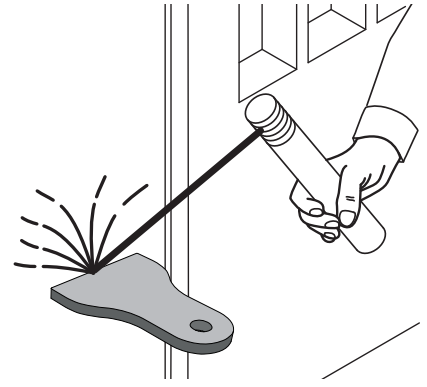
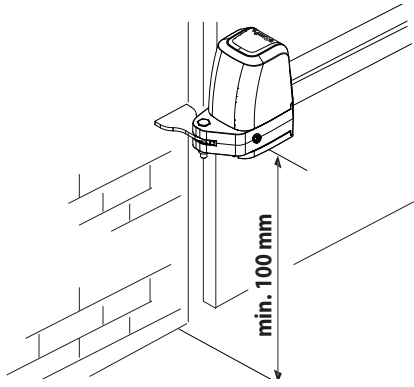


| $\alpha^\circ$ | B (mm) | A (mm) |
|----------------|--------|--------|
|----------------|--------|--------|

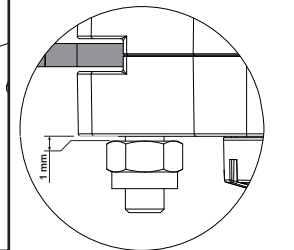
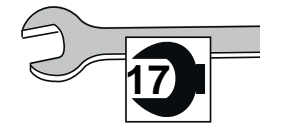
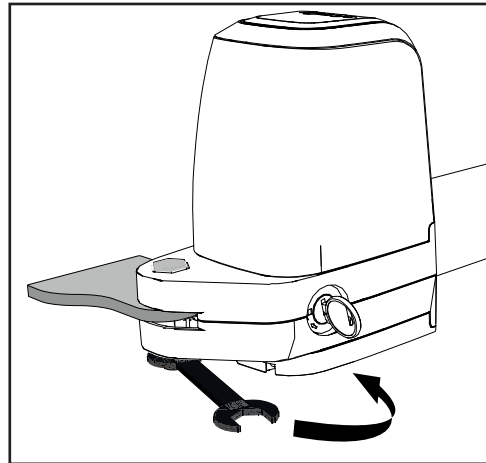
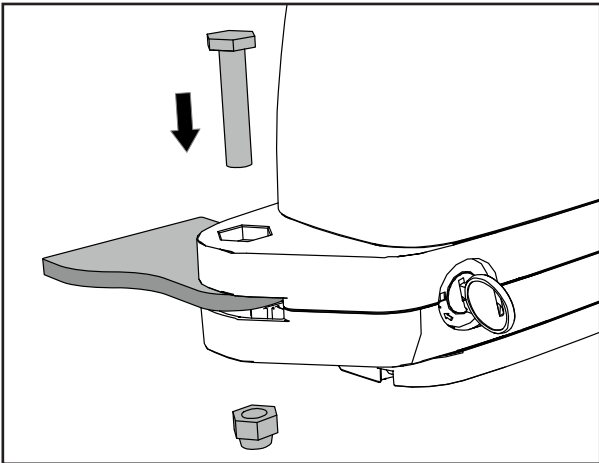
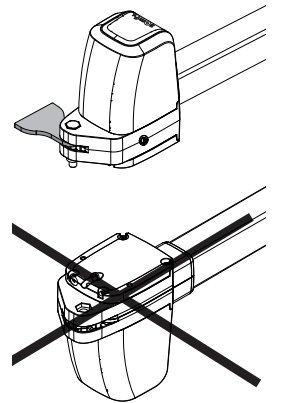
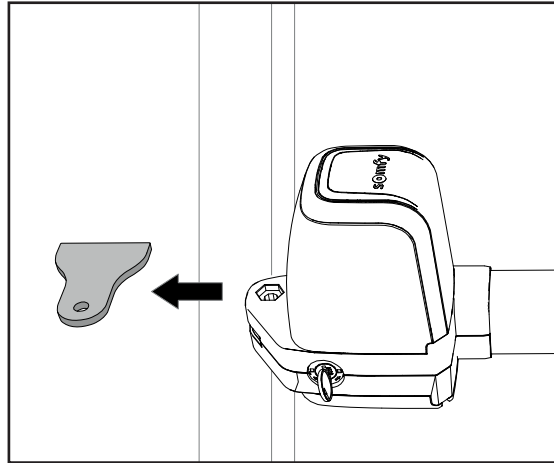
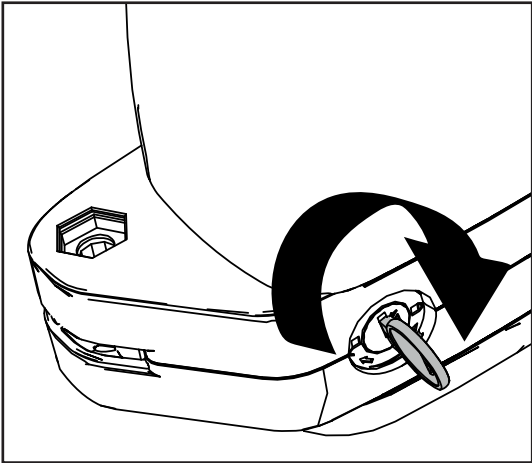


|                              |     |                       |
|------------------------------|-----|-----------------------|
| $\alpha^\circ \leq 90^\circ$ | 130 | $100 \leq A \leq 220$ |
|                              | 150 |                       |
|                              | 170 |                       |
|                              | 190 |                       |
|                              | 210 |                       |
|                              | 230 |                       |
|                              | 250 |                       |

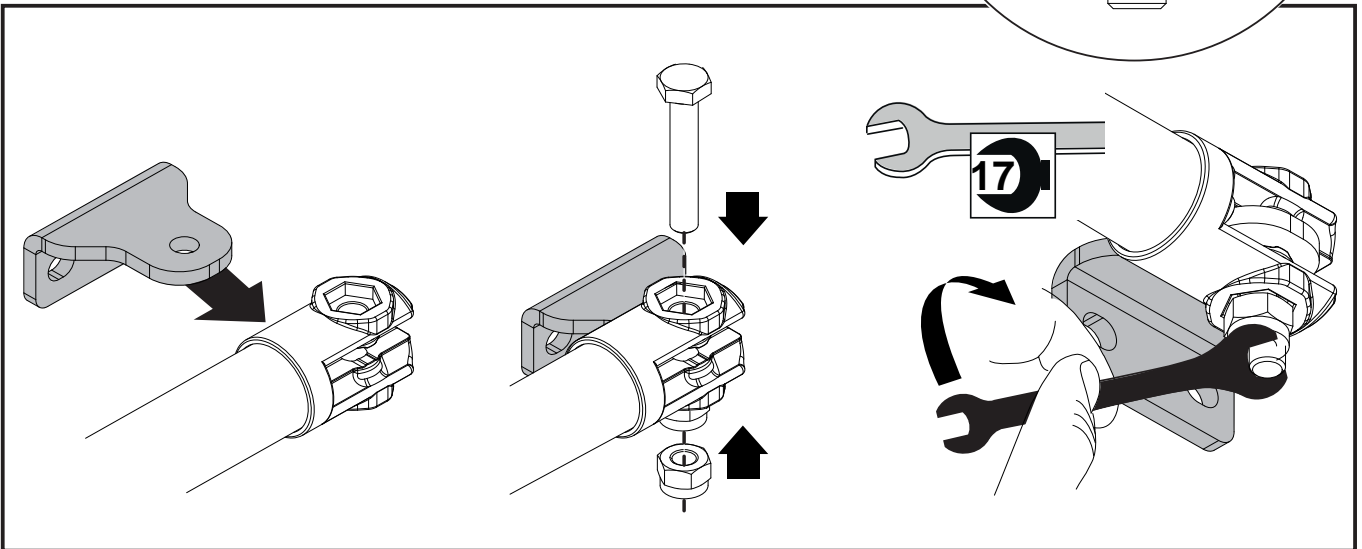
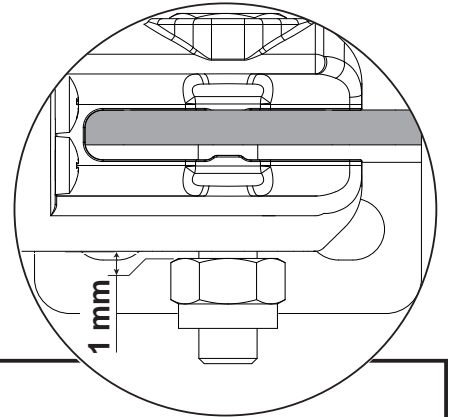
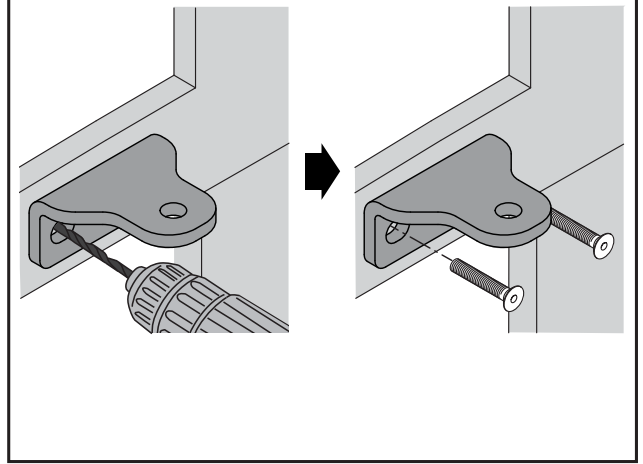
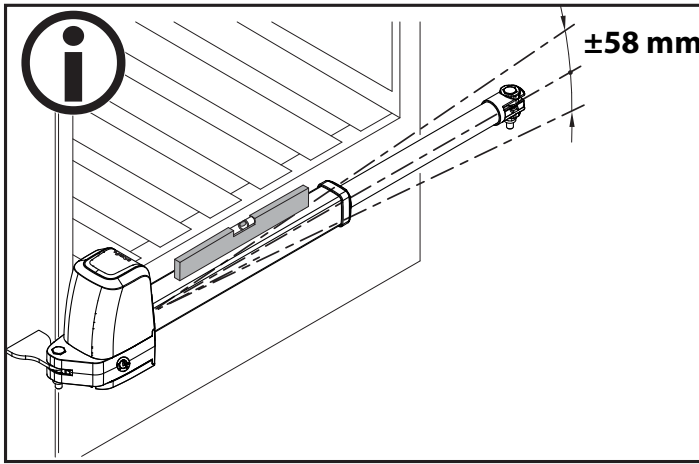
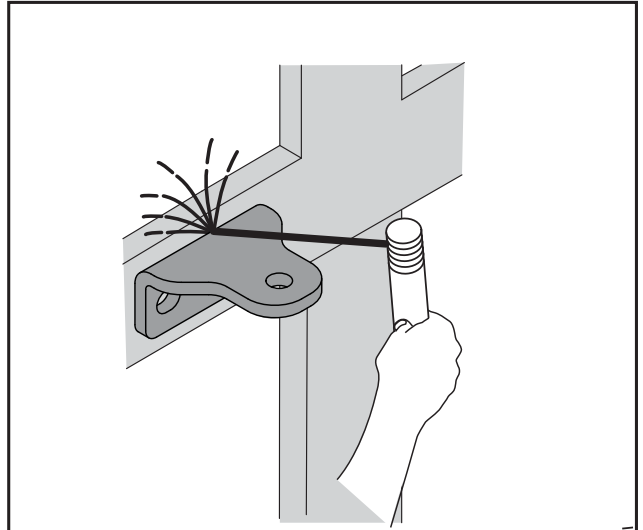
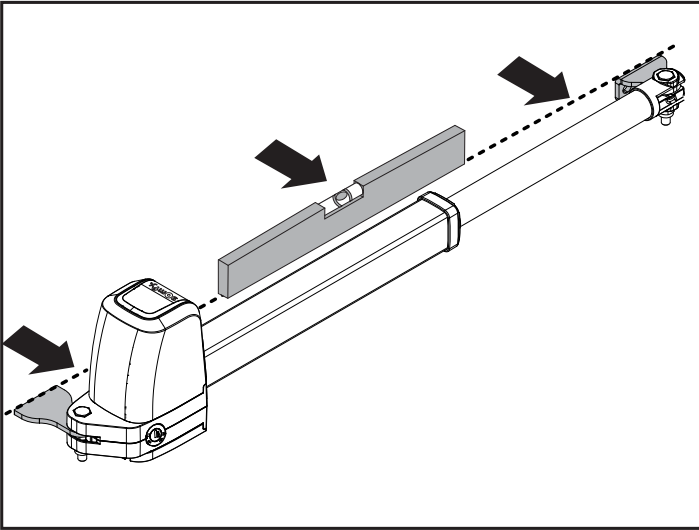
6



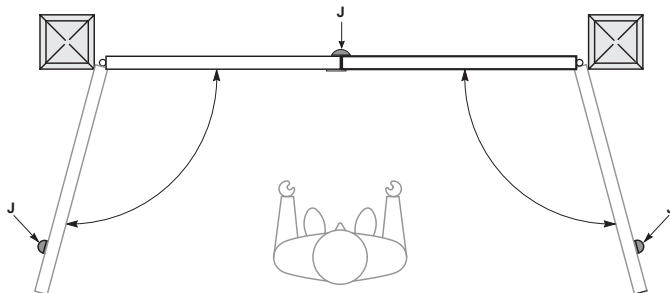
7



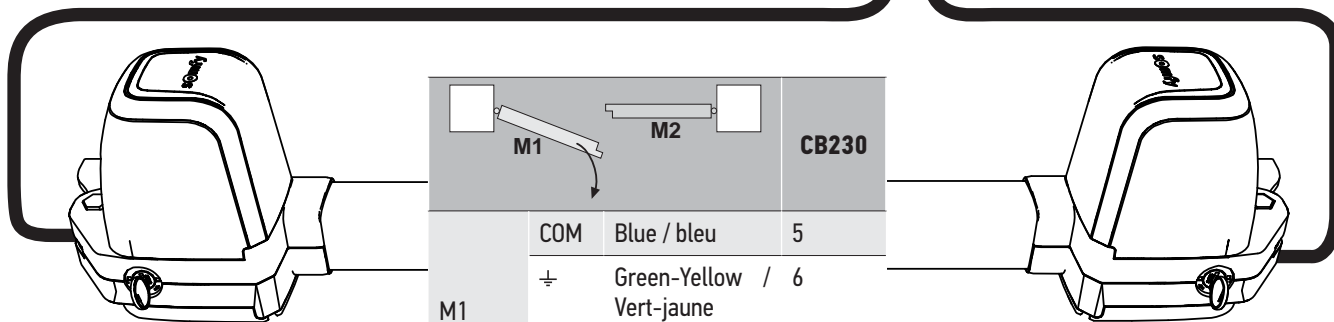
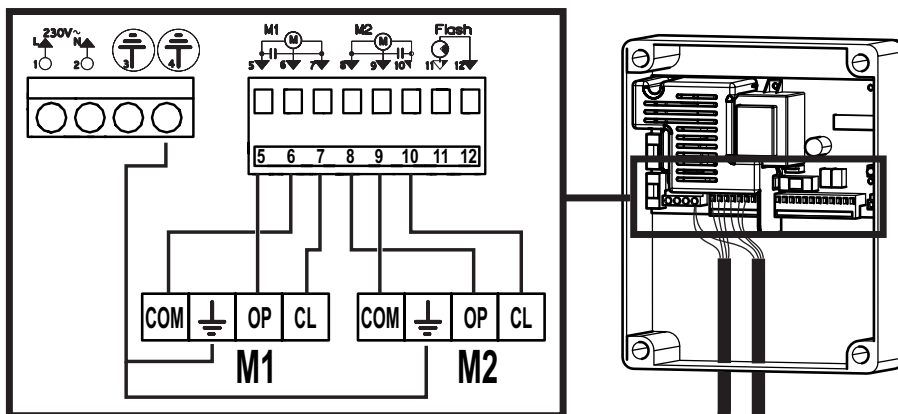
8



9

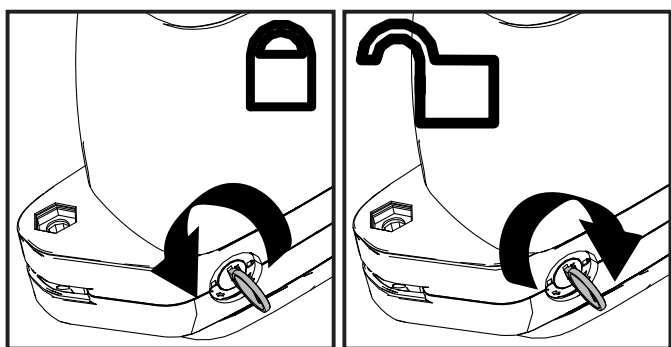


10



|    | M1  | M2                        | CB230 |
|----|-----|---------------------------|-------|
| M1 | COM | Blue / bleu               | 5     |
|    | ⊥   | Green-Yellow / Vert-jaune | 6     |
|    | OP  | Black / noir              | 7     |
|    | CL  | Brown / marron            | 4     |
| M2 | COM | Blue / bleu               | 8     |
|    | ⊥   | Green-Yellow / Vert-jaune | 9     |
|    | OP  | Black / noir              | 10    |
|    | CL  | Brown / marron            | 4     |

11



**SOMFY ACTIVITES SA**

50 avenue du Nouveau Monde  
F-74300 Cluses

[www.somfy.com](http://www.somfy.com)



5135451A